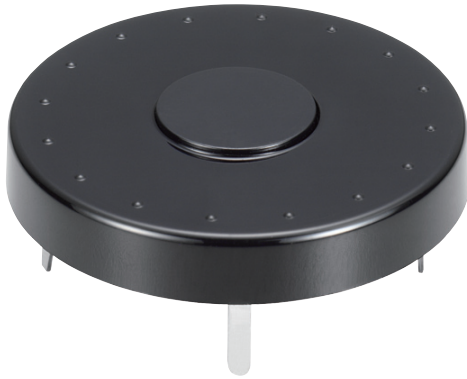
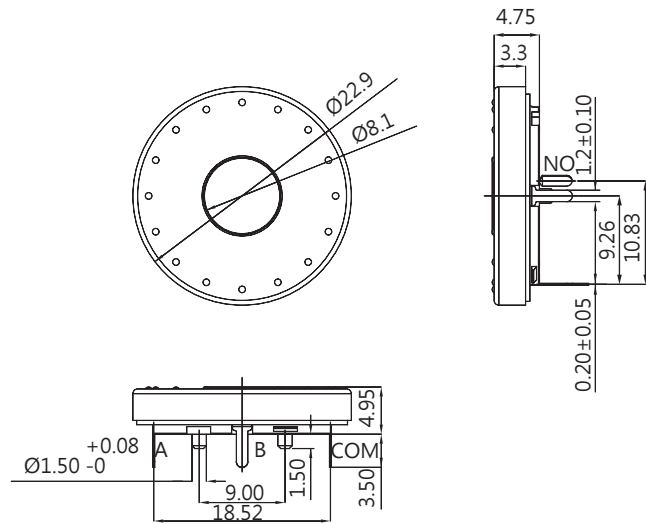


# ROTARY SWITCHES



## DIMENSIONS

Unless otherwise specified, a tolerance of  $\pm 0.4\text{mm}$  applies to all dimensions.



## ANM SERIES

### SPECIFICATIONS

#### Operating Force

Rotation - Max.60 gf-cm

Push - Max. 300 gf

#### Contact Resistance (initial)

Max. 300m $\Omega$

Measured by ohm meter - open voltage < 1VDC, Driver current - 100mA

#### Insulation Resistance (at 100VDC/minute)

Min. 100M $\Omega$

#### Operating Temperature Range

0°C to 40°C (with no icing)

#### Vibration

10~55 Hz, displacement 0.75 mm (p-p)

#### Electrical Service Life

Rotation - Min. 200,000 operations

C.W. 100,000 & C.C.W 100,000 operations

Push - Min. 1,000,000 operations

#### Electrical Operating Frequency

Rotation - 30 operations per minute

Push - 120 operations per minute

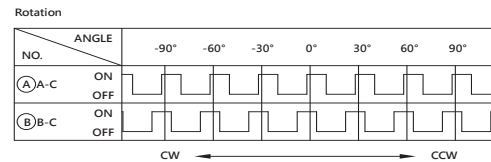
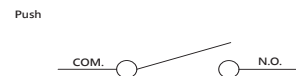
### RATING

1mA 10VDC

### APPLICATIONS

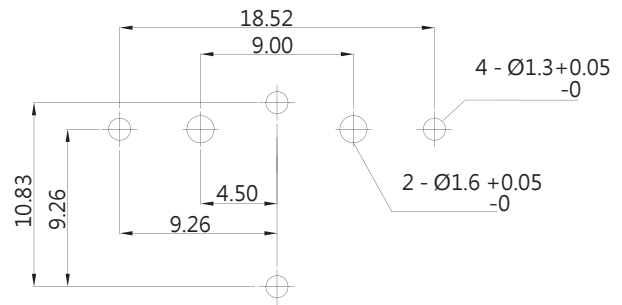
Remote control, Tablet, Keyboard, Audio, Mp3, NB, Mobile Phone

### CONTACT CONFIGURATION



Numbers of detent : 24  
Pulse/Rotation : 12 pulse/360°

### MOUNTING HOLES



### ORDERING INFORMATION

