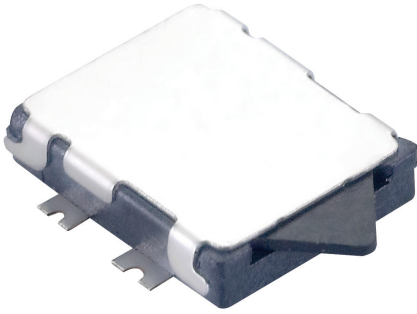


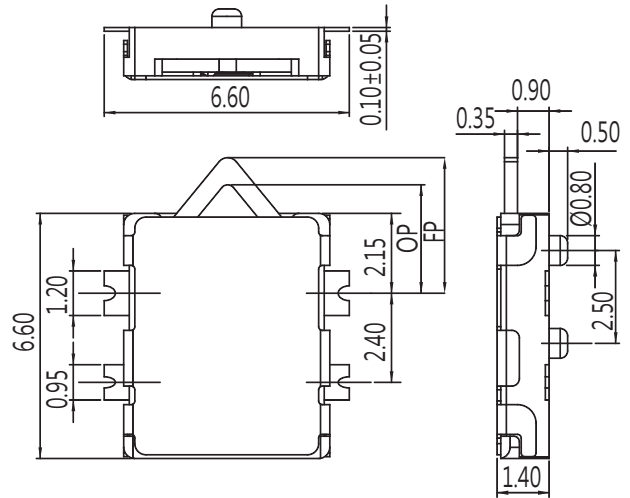
SLIDE SWITCHES



D4 SERIES

DIMENSIONS

Unless otherwise specified, a tolerance of $\pm 0.2\text{mm}$ applies to all dimensions.



SPECIFICATIONS

Contact Resistance (Initial)

Max. 2Ω

Measured by ohm meter - open voltage < 1VDC, driver current - 100 mA

Insulation Resistance (At 100VDC/minute)

Min. $100\text{M}\Omega$

Dielectric Strength

Min. 100 VAC(50-60HZ)/minute between Live-parts and dead metal parts

Operating Temperature Range

-10°C to 60°C (With no icing)

Vibration

10 ~ 55 Hz, displacement 0.75 mm (p-p)

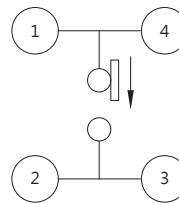
Electrical Service Life

Min. 50,000 operations

Electrical Operating Frequency

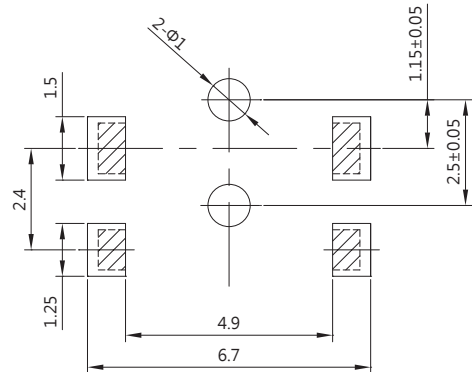
Max. 20 operations per minute

CONTACT CONFIGURATION



TERMINAL	DEFINE
1	NO
2	COMMON
3	COMMON
4	NO

P.C.B MOUNTING HOLES



RATING

1mA 5 VDC

APPLICATIONS

CD-ROM device, Mouse, PDA

ORDERING INFORMATION

