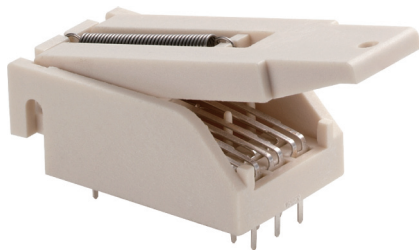
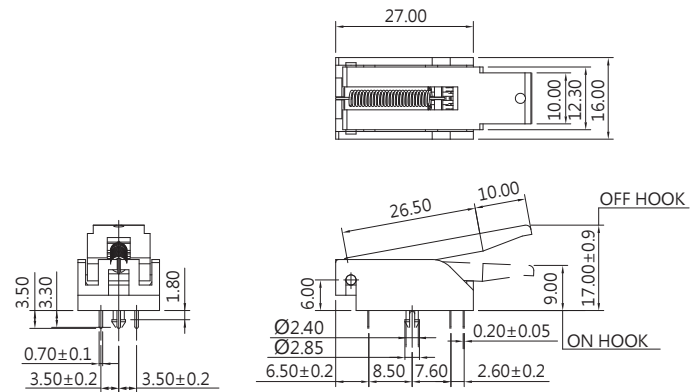


HOOK SWITCHES



DIMENSIONS

Unless otherwise specified, a tolerance of $\pm 0.4\text{mm}$ applies to all dimensions.



HK01 SERIES

SPECIFICATIONS

Operating Force

Max. 110 gf at point P

Return Force

Min. 20gf at point P

Contact Resistance (initial)

Max. 100m Ω

Measured by ohm meter –Open Voltage < 1VDC, Driver current -100mA

Insulation Resistance (at 500VDC/minute)

Min. 100M Ω

Operating Temperature Range

0°C to 55°C

Vibration

10 ~ 55 Hz, displacement 0.75 mm (p-p)

Electrical Service Life

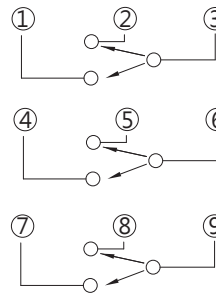
Min. 500,000 operations

Electrical Operating Frequency

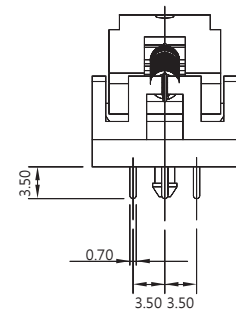
30 operations per minute

CONTACT CONFIGURATION

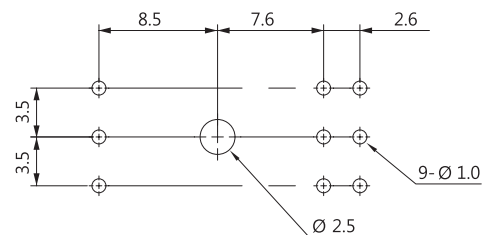
Seen from the Direction A



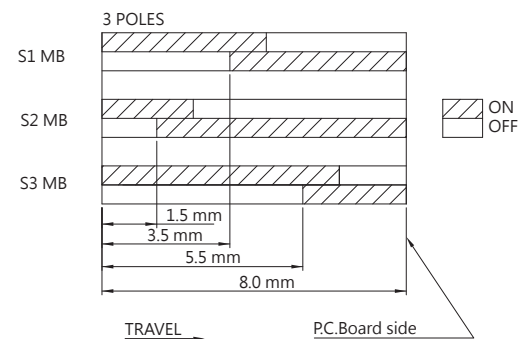
TERMINAL TYPES



MOUNTING HOLES



SWITCH SEQUENCE



RATING

0.1A 48VDC

APPLICATIONS

Various telephone sets, telephone-related equipment and other communication systems using telephone circuits

ORDERING INFORMATION

