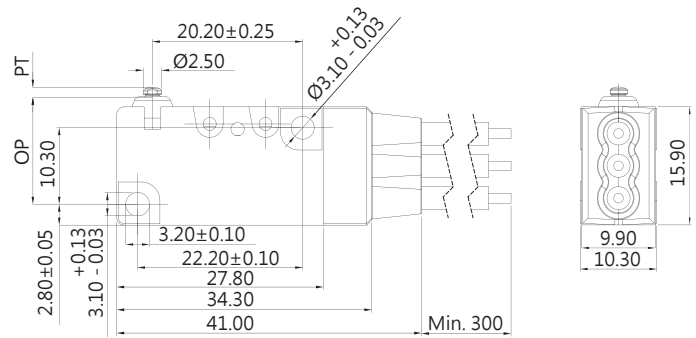
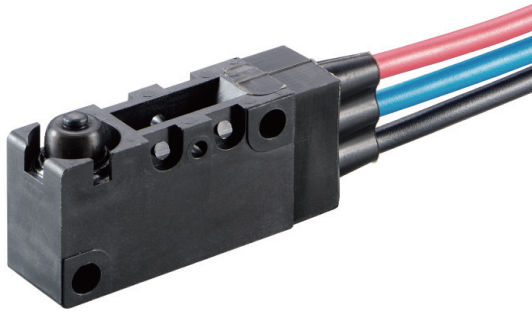


WATER PROOF SWITCHES

DIMENSIONS

Unless otherwise specified, a tolerance of $\pm 0.4\text{mm}$ applies to all dimensions.

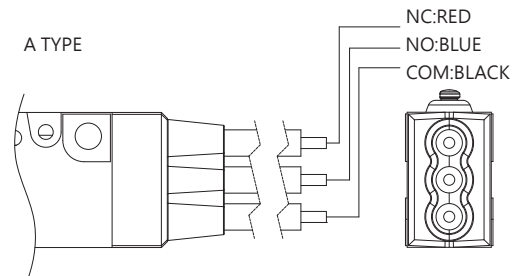


VW1 (IP67) SERIES

APPLICATIONS

Alarm devices, Home security, Time recorder, Air conditioner, Food processor, Juice maker, Lawnmowers, Mixer, Central water heater, Industrial apparatus, Special forklifts, Special vehicles

TERMINAL TYPES



THE SELECTION OF RATING & FORCE

MODEL	Rating	D	J	L	S	H
VW1	0.1A	*	*	*	*	*
	3A	*	*	*	*	*
	6A	*	*	*	*	*
	10A				*	*

CERTIFICATE INFORMATION

Model Name	UL	ENEC
VW1-P1	0.1RA 30VDC μ T55 1E4 0.1RA 125/250VAC μ T55 1E4	0.1A 30VDC μ T55 1E4 0.1A 125/250VAC μ T55 1E4
VW1-03	3RA 30VDC μ T55 1E4 3RA 125/250VAC μ T55 1E4	3A 30VDC μ T55 1E4 3A 125/250VAC μ T55 1E4
VW1-06	5RA 30VDC μ T55 1E4 6RA 125/250VAC μ T55 1E4	5A 30VDC μ T55 1E4 6A 125/250VAC μ T55 1E4
VW1-10	5RA 30VDC μ T55 1E4 10RA 125/250VAC μ T55 1E4	5A 30VDC μ T55 1E4 10A 125/250VAC μ T55 1E4

NOTE : The Symbol " * " to represent the result is accepted

ORDERING INFORMATION

SERIES PREFIX	RATING CURRENT	OPERATING FORCE	ACTUATOR LEVER FIXED	ACTUATOR TYPE	TERMINAL TYPE	CIRCUIT ARRANGEMENT	AWG TYPE	UL NUMBER	SERIAL CODE	ROHS CODE
VW1	10 06 03 P1	H S L J D	0 1 2	00 01 02 03 04 05 06	A	0 1 2	C D E F G H	B		

#NOTE				
ITEM	RATING CURRENT	OPERATING FORCE	AWG TYPE	LEADS WIRE
1	Code : P1	H, S, L, J, D	All	Min.30 cm
2	Code : 03	H, S, L, J, D	16, 18, 20	Min.30 cm
3	Code : 06	H, S, L, J, D	16, 18	Min.30 cm
4	Code : 10	H, S	16	Min.30 cm