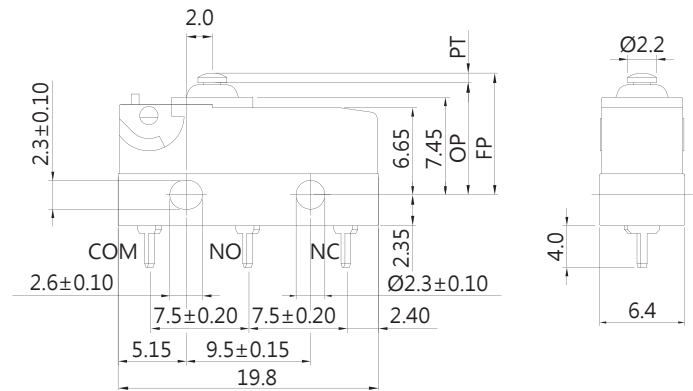


WATER PROOF SWITCHES



DIMENSIONS

Unless otherwise specified, a tolerance of $\pm 0.4\text{mm}$ applies to all dimensions.



SW SERIES

SPECIFICATIONS

Contact Resistance(initial)

Max. 30 m Ω

Measured by ohm meter - open voltage <1VDC, driver current -100 mA

Insulation Resistance (at 500 VDC / minute)

Min. 100 M Ω

Dielectric Strength

Min. 1000VAC(50-60HZ)/minute between Live parts.

Min. 1500VAC(50-60HZ)/minute between Live parts and dead metal parts

Operating Temperature Range

-40°C to 120°C (with no icing)

Vibration

10~55Hz, displacement 0.75 mm (p-p)

Electrical Service Life

Min. 10,000 operations

Electrical Operating Frequency

10~30 operations per minute

Mechanical Service Life

Min. 2,000,000 operations

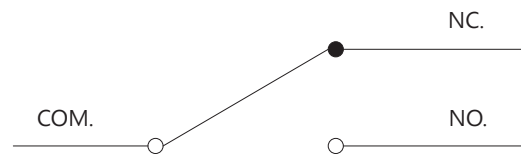
Mechanical Operating Frequency

120 operations per minute

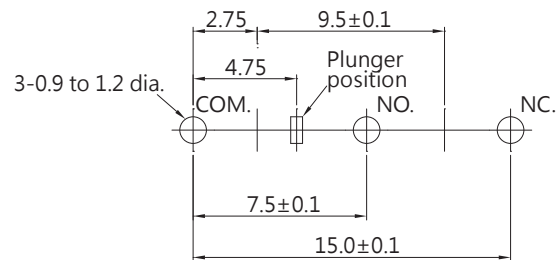
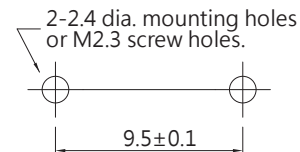
Operating application of the switch

Set the switch pushing distance from 60% to 90% of the specified OT value

CONTACT CONFIGURATION



MOUNTING HOLES



APPLICATIONS

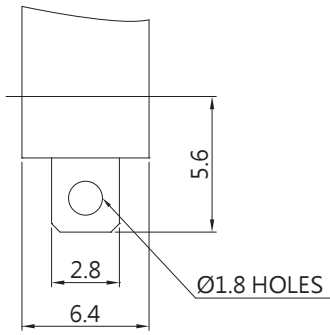
Telephone, Air Conditioner, Computer, Humidifier, Alarm, Time Recorder, Mixer & Chopper, Solder Gun, Neon Phone, Fax Machine, Joystick, Water Pump, Gas Detector, Pencil Sharpener, Money Sorter, Food Processor, Electric Knife, Toy Car, Juice Maker, Electric Steak Pan

CERTIFICATE INFORMATION

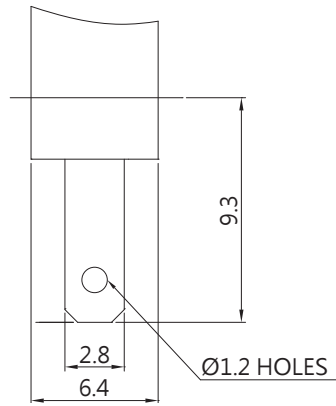
Model Name	UL, cUL	ENEC
SW-05	0.1A 125/250VAC 5A 125/250VAC (Temp: 120°C) Min. 6000 operations	6A 250VAC μ T120 1E4

TERMINAL TYPES

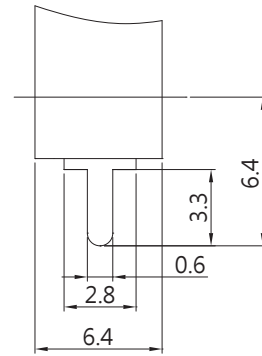
A TYPE



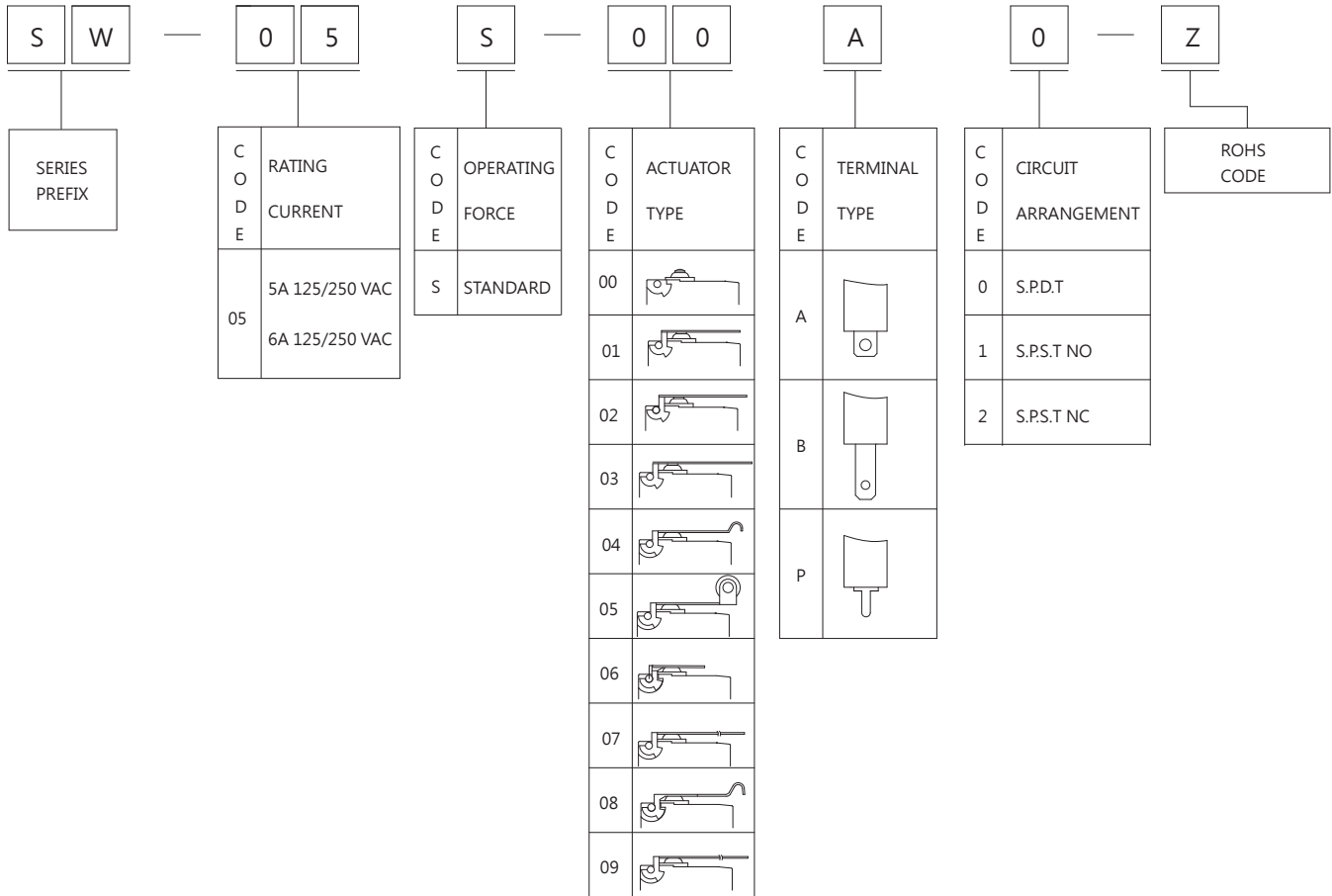
B TYPE



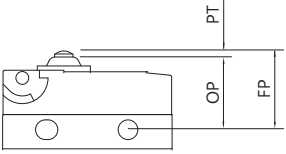
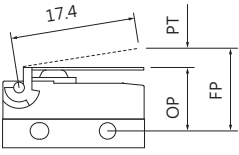
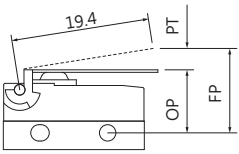
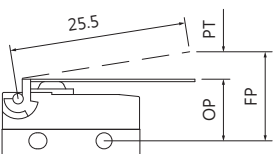
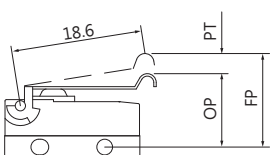
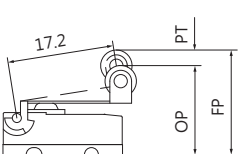
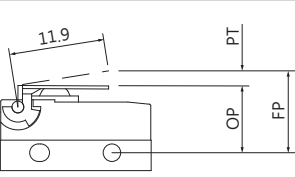
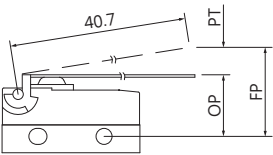
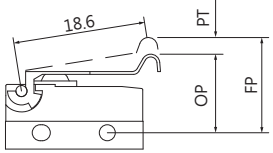
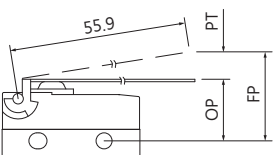
P TYPE



ORDERING INFORMATION



OPERATING CHARACTERISTICS

SWITCH TYPE	PART SUFFIX	OF Max. (gf)	OP (mm)	PT Max. (mm)	OT Min. (mm)	MD Max. (mm)	FP Max. (mm)	RF Min. (gf)
SW-05S-00 □□ -Z		203	8.4±0.3	1.2	0.6	0.2	9.9	50
SW-05S-01 □□ -Z		82	8.8±1.1	4.3	0.9	0.6	12.0	16
SW-05S-02 □□ -Z		66	8.8±1.2	4.8	1.0	0.7	12.4	13
SW-05S-03 □□ -Z		54	8.8±1.6	6.3	1.6	0.9	13.5	11
SW-05S-04 □□ -Z		68	10.7±1.2	4.6	1.0	0.65	14.1	14
SW-05S-05 □□ -Z		72	14.5±1.1	4.3	0.9	0.6	17.7	15
SW-05S-06 □□ -Z		98	8.8±0.9	3.2	0.6	0.5	11.1	21
SW-05S-07 □□ -Z		39	8.8±2.6	10.1	2.1	2.3	16.3	8
SW-05S-08 □□ -Z		68	11.3±1.3	4.9	0.95	0.8	14.9	13
SW-05S-09 □□ -Z		33	8.8±3.5	13.8	2.9	3.6	19.1	7