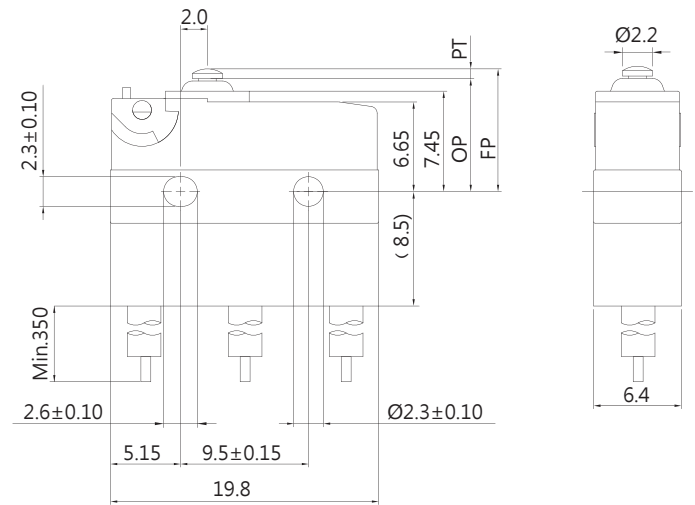
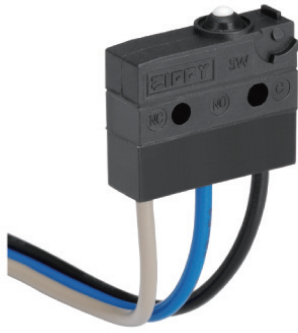


WATER PROOF SWITCHES

DIMENSIONS

Unless otherwise specified, a tolerance of $\pm 0.4\text{mm}$ applies to all dimensions.



SW (IP67) SERIES

APPLICATIONS :

Automotive Door Latch, Coffee Machine, Steamer, Telephone, Air Conditioner, Humidifier, Alarm, Time Recorder, Security Device, Mixer & Chopper, Solder Gun, Neon Phone, Fax Machine, Joystick, Water Pump, Gas Detector, Pencil Sharpener, Money Sorter, Food Processor, Electric Knife, Toy Car, Juice Maker, Electric Steak Pan

CERTIFICATE INFORMATION

Model Name	UL, cUL	ENEC
SW-05	0.1A 125/250VAC 5A 125/250VAC (Temp: 120°C) Min. 6000 operations	6A 250VAC μ T70 1E4 (PVC cable) 6A 250VAC μ T120 1E4 (High heat resistant cable)

ORDERING INFORMATION

S	W	05	S	00	A	0	E	A	001	Z
SERIES PREFIX	RATING CURRENT	OPERATING FORCE	ACTUATOR TYPE	WIRE SIDE	CIRCUIT ARRANGEMENT	AWG TYPE	UL NUMBER	SERIAL CODE	ROHS CODE	
	05 5A 125/250 VAC 6A 125/250 VAC	S STANDARD	00 01 02 03 04 05 06 07 08 09	A B C D E	0 S.P.D.T. 1 S.P.S.T. NO 2 S.P.S.T. NC	E 20 F 22 G 24 H 26	A UL1007 B UL1015 C UL1430 D UL1061 F AV			

Note 1: safety Leads Wire: Min. 350mm
2: UL NUMBER CODE: F, AV wire (No safety)