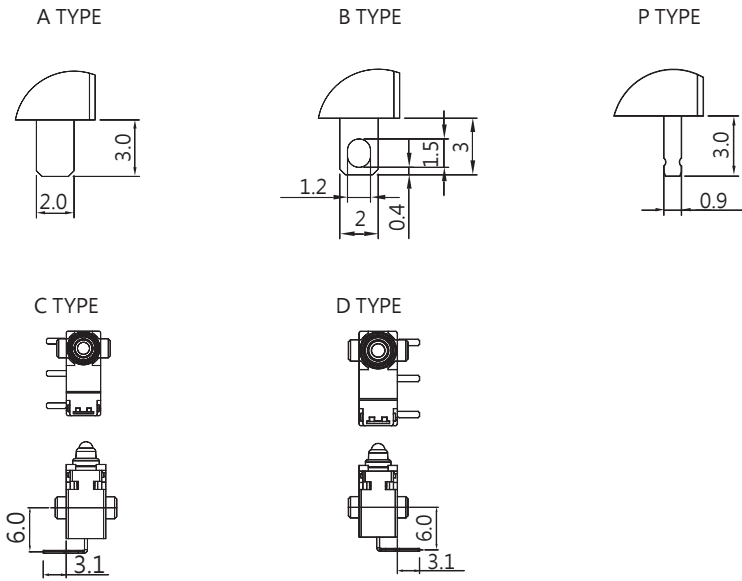
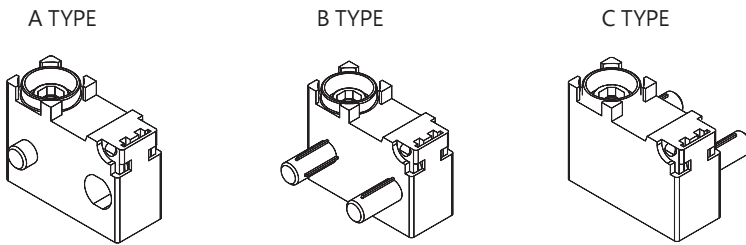


TERMINAL TYPES(THE thickness of each terminal is 0.4 mm)



COVER TYPES (PILLAR & TRAVEL TYPES)



OPERATING CHARACTERISTICS

| SWITCH TYPE | PART SUFFIX | OF Max (gf) | FP Max (mm) | NC-OP (mm) | NO-OP (mm) | NC-OT Min.(mm) | NO-OT Min. (mm) | TTP. REF. (mm) | |
|------------------|-------------|---------------|---------------|--------------|--------------|------------------|-------------------|------------------|------|
| DW3- □□ -00A0-Z | | S | 153 | 13.4 | 12.9±0.3 | 12.6±0.3 | 2.5 | 2.2 | 10.1 |
| | | | | 9.2 | 8.7±0.3 | 8.4±0.3 | | | 5.9 |
| DW3- □□ -A01A0-Z | | S | 210 | 15.7 | 14.0±0.6 | 13.45±0.6 | 3.0 | 2.45 | 10.4 |
| | | | | 11.5 | 9.8±0.6 | 9.25±0.6 | | | 6.2 |