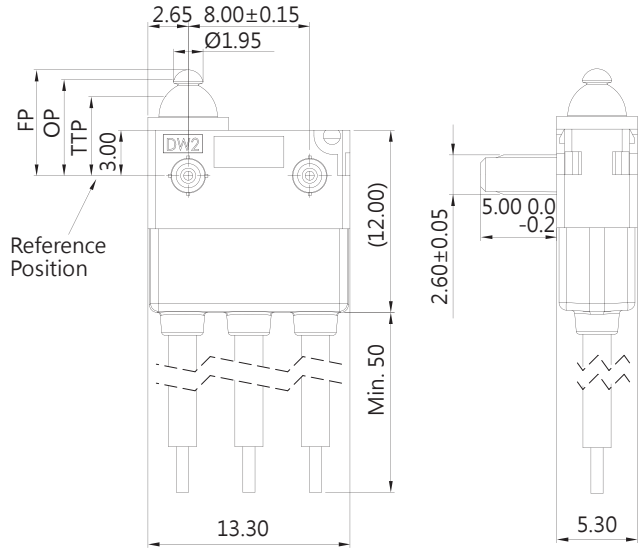


WATER PROOF SWITCHES

DIMENSIONS

Unless otherwise specified, a tolerance of $\pm 0.4\text{mm}$ applies to all dimensions.



DW2 (IP67) SERIES

APPLICATIONS :

Automotive (Seat, Door Latch, Engine Hood, Door Truck),
Air Conditioner, Communication, Security System,
Electric tooth brush, Toy

CERTIFICATE INFORMATION

Model Name	UL, cUL	ENEC
DW2-03S	0.1A 3A 12VDC μ T55 1E5	0.1A 3A 12VDC μ T55 1E5
	3A 24VDC μ T55 5E4	3A 24VDC μ T55 5E4
	0.1A 3A 125/250VAC μ T55 1E4	0.1A 3A 125/250VAC μ T55 1E4
DW2-G3S	0.1A 3A 12VDC μ T55 1E5	0.1A 3A 12VDC μ T55 1E5
	3A 24VDC μ T55 5E4	3A 24VDC μ T55 5E4
	0.1A 3A 125/250VAC μ T55 1E4	0.1A 3A 125/250VAC μ T55 1E4

ORDERING INFORMATION

D	W	2	—	0	3		H	—	0	1		A		0		A		A	—	E		A		0	0	1	—	Z
SERIES PREFIX		CODE	RATING CURRENT	CODE	OPERATING FORCE	CODE	ACTUATOR TYPE	CODE	TERMINAL TYPE	CODE	CIRCUIT ARRANGEMENT	CODE	PILLAR TYPE	CODE	PILLAR TYPE	CODE	AWG TYPE	CODE	UL NUMBER	CODE	SERIAL CODE	ROHS CODE						
G3		3A 125/250VAC (Contact Plated Gold)	S STANDARD	00	01	A01	A	0	1	2	0 S.P.D.T 1 S.P.S.T.NO 2 S.P.S.T.NC	A	A	E	A	A	A	A	1007	1430	1061	0	R	L				
03		3A 125/250VAC	H HEAVY																									

DIMENSIONS FOR B TYPE C TYPE D TYPE							
CODE	L1	H	ØA	ØB	ØC	ØD	P
	5.0	3.0	2.2	2.6	2.2	2.6	8.00
A	2.0	3.0	2.2	2.6	2.2	2.6	8.00
B	4.0	3.0	2.2	2.6	2.2	2.6	8.00
C	0.7	3.0	2.5	N/A	2.5	N/A	8.00

DIMENSIONS FOR F TYPE						
CODE	L1	H1	H2	ØA	ØB	P
	1.5	3.0	3.1	3.0	3.3	13.00