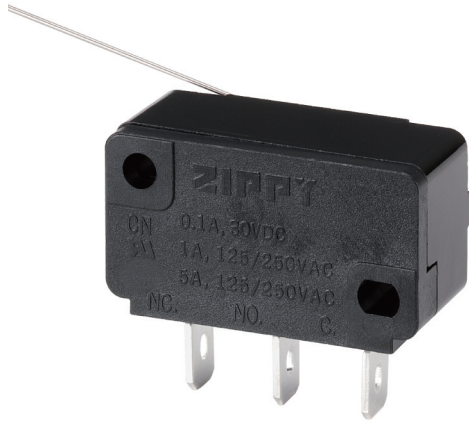


LOW TORQUE SWITCHES



CNR SERIES

SPECIFICATIONS

Insulation Resistance (at 500VDC/minute)

Min. 100MΩ

Dielectric Strength

Min. 1000VAC(50-60HZ)/minute between Live parts.

Min. 1500VAC(50-60HZ)/minute between Live parts and dead metal parts

Operating Temperature Range

05 series -40°C to 65°C (with no icing)

P1 series -40°C to 85°C (with no icing)

Vibration

10~55 Hz, displacement 0.75 mm(p-p)

Electrical Service Life

Min. 6,000 operations

Electrical Operating Frequency

10~30 operations per minute

Mechanical Service Life

Min. 10,000,000 operations

Mechanical Operating Frequency

120 operations per minute

APPLICATIONS

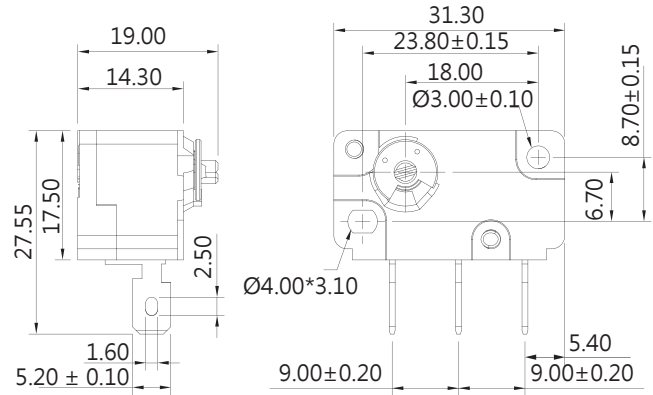
TV Game, Vending Machine, Coin-op Phone, Pin-Ball Game

OPERATING CHARACTERISTICS

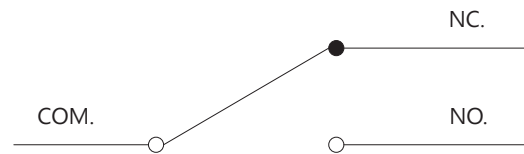
Type	L	S	H
Operating Force(OF)Max	5.1 gf	7.6 gf	10.2 gf
Releasing Force(RF)Min.	0.6 gf	0.9 gf	1.3 gf
Operating Position(OP)	18±3°		
Releasing Position(RP)	9±4°		

DIMENSIONS

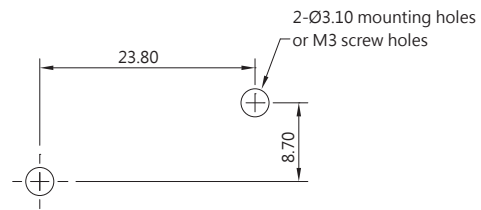
Unless otherwise specified, a tolerance of ±0.4mm applies to all dimensions.



CONTACT CONFIGURATION



MOUNTING HOLES



CERTIFICATE INFORMATION

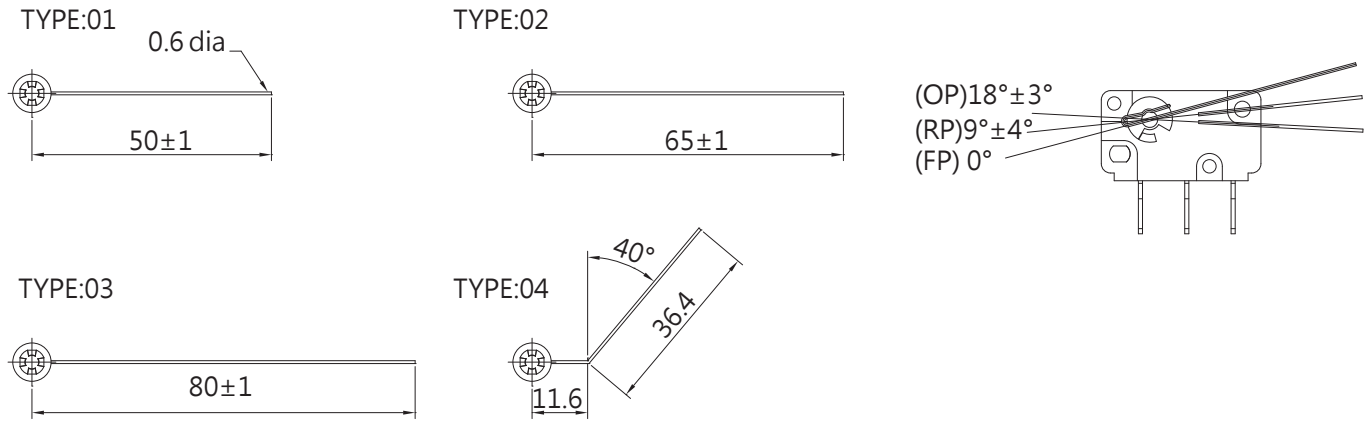
Model Name	UL, cUL
CNR-P1 CNR-05	0.1A 30VDC 1A 125/250 VAC 5A 125/250VAC Temp:85°C Min. 6,000 operations

THE SELECTION OF RATING & FORCE

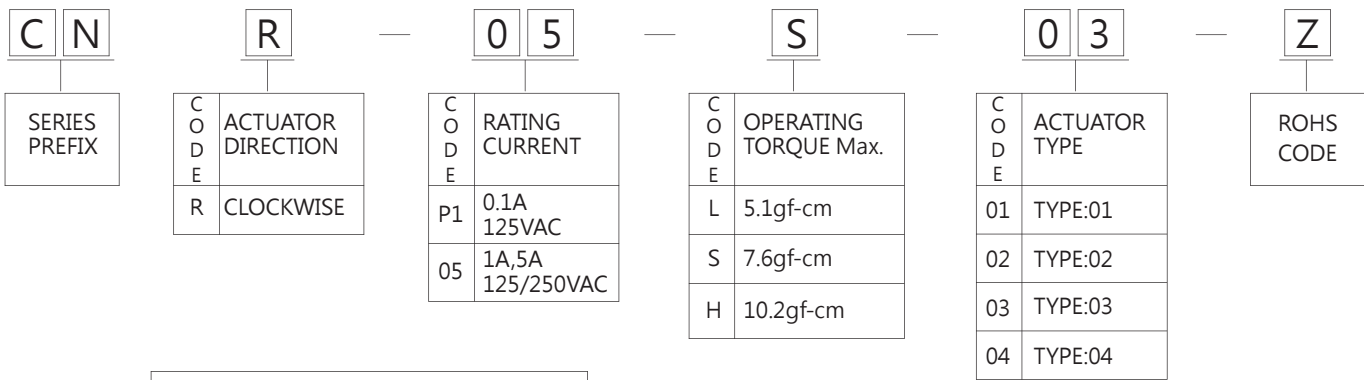
MODEL	Rating	L	S	H
CNR	0.1A	*	*	*
	1A	*	*	*
	5A	*	*	*

NOTE : The Symbol " * " to represent the result is accepted

ACTUATOR TYPES



ORDERING INFORMATION



#NOTE		
ITEM	RATING CURRENT	OPERATING FORCE
1	Code:P1	L,S,H
2	Code:05	L,S,H